

RM 008 RAIL CLIPS

RM 008 RAIL CLIPS

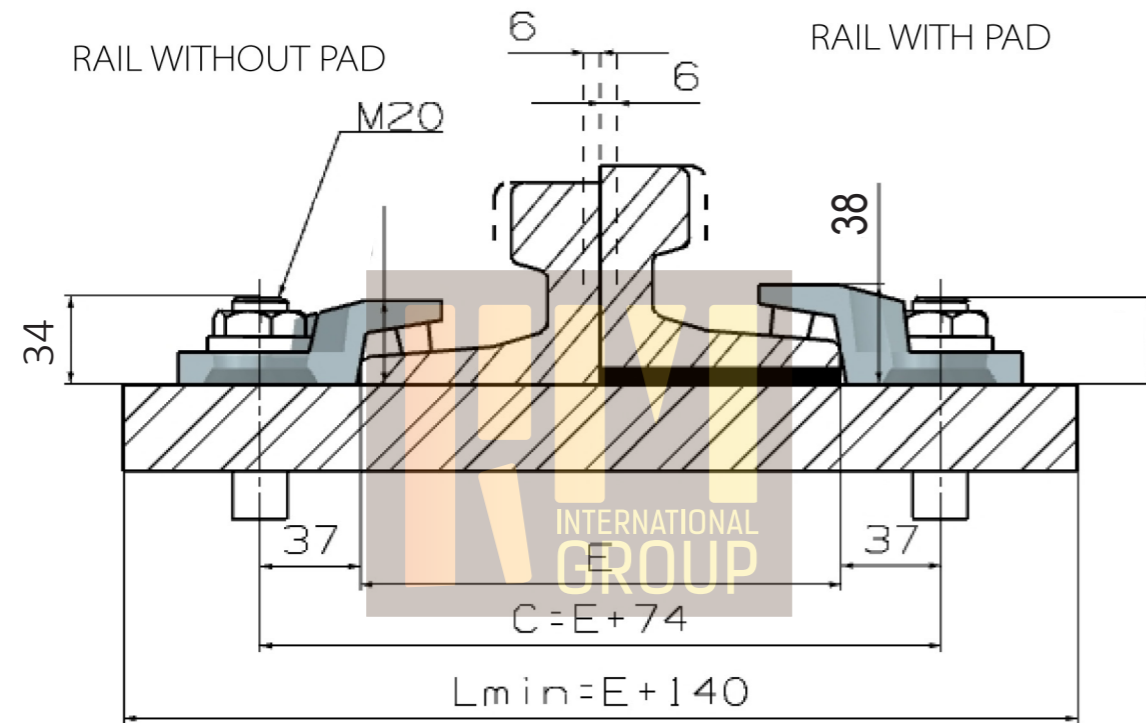
TECHNICAL SPECIFICATIONS

Max side load 120 KN
Lateral adjustmen 6
Torque tightening 320 Nm
Steel Quality St52-3

FEATURES

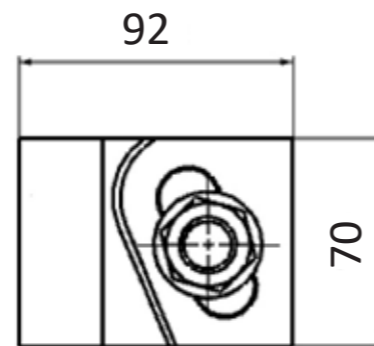
Main features:

- * Elastic fixing of rails with or without pad;
- * System made up of two interacting elements that allow an easy adjustment of the rail;
- * Easy maintenance;
- * The elastomer nose increases the tolerances of the rail support structure, reduces the stress of the connections and allows a better fixing of the rail;
- * The fastening system has been used for years throughout the world in the most demanding conditions with great success.



APPLICATIONS

The fastening system RM 008 for direct fixing has been studied specifically for crane rails but it can be used with good results also with train and light rails. It is a very rugged, reliable fastening system of contained dimensions. It can be used with any type of crane independently of the driving system.

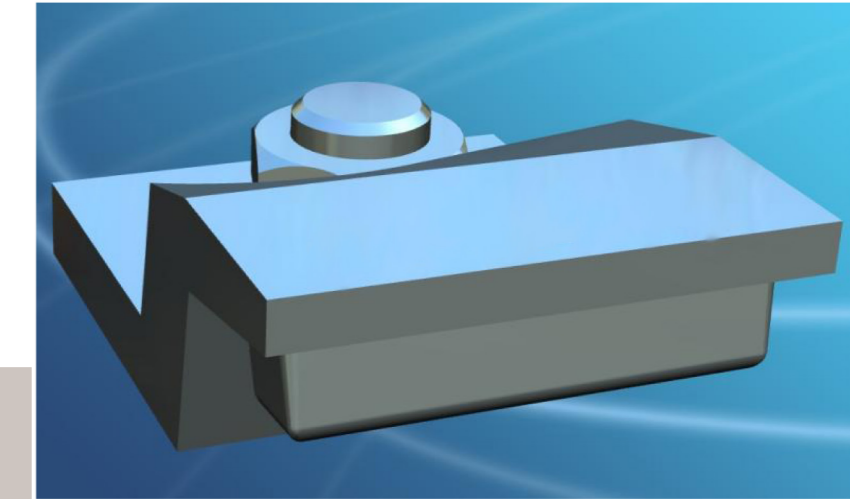


CLIP WITH RUBBER NOSE

RM RAIL FASTENING SYSTEMS

RAIL TYPE	A	B	E	WEIGHT KG/M	WITHOUT PAD	WITH PAD
A 65	65	75	175	43,1	008	008 P
A 75	75	85	200	56,2	008	008 P
A 100	100	95	200	74,3	008	008 P
A 120	120	105	220	100	008	008 P
CR 104	63,5	127	127	51,59	008	008 P
CR 105	65,1	131,8	131,8	52,09	008	008 P
CR 135	76,2	146	131,8	66,97	008	008 P
CR 171	101,6	152,4	152,4	84,83	008	008 P
46 E4	65	145	135	46,9	008	008 P
49 E1	67	149	125	49,39	008	008 P
50 ES	67	148	135	49,9	008	008 P
54 E1	70	159	140	54,77	008	008 P
60 E1	72	172	150	60,21	008	008 P

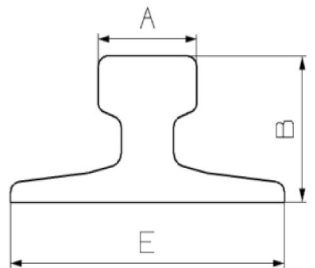
Clip can be used with more type of rails than those listed. Complete range of the usable rails available on request. Products and specifications could be changed without previous notice.



GENERAL INSTRUCTIONS

The selection of the fastening system, either for crane rails or train or light (Decauville) rails is a rather important decision both when placing a track or a single rail. The wrong selection could have expensive consequences and create serious problems such as;

- * Slow down or shut down of the production process,
- * Excessive and, or irregular wear of the rails,
- * Damage of the mechanical components,
- * Damage of the supporting base,
- * Damage of the fastening systems.



CLIPS NO.	TORQUE TIGHTENING	SIDE LOAD	WEIGHT KG
RM 008	320 Nm	120 KN	0,920
RM 008 P			0,870