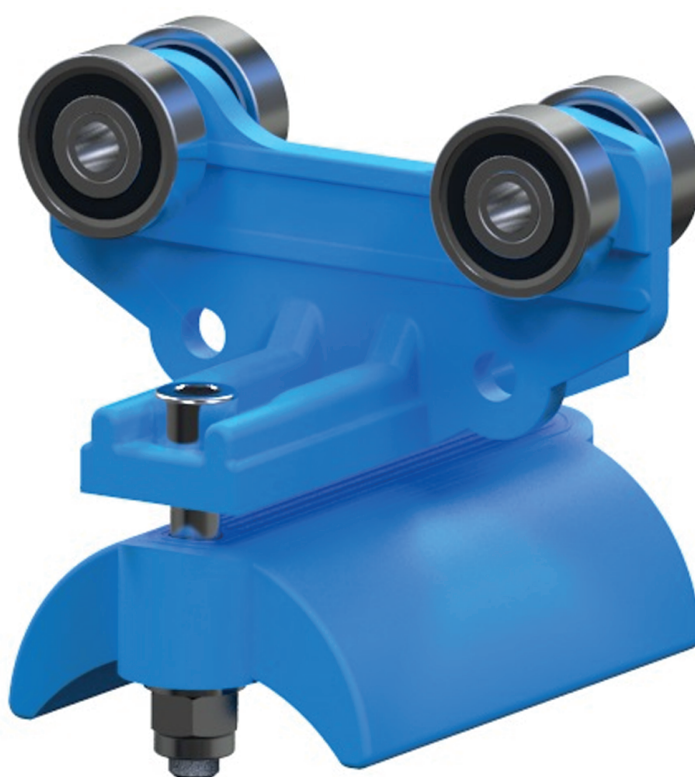
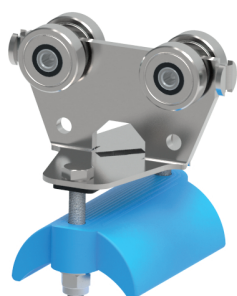
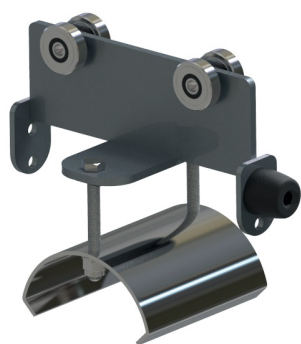


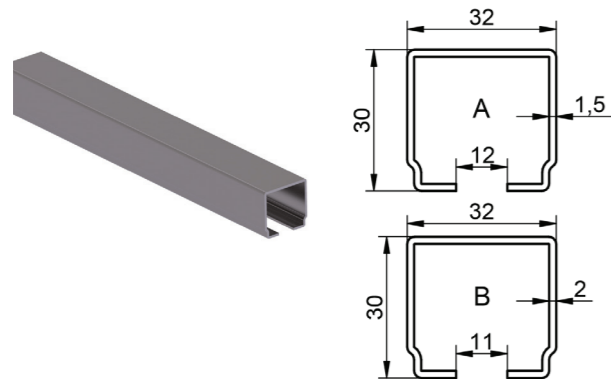
Cable trolleys and components A and B series





**Profile of types "A" and "B"**

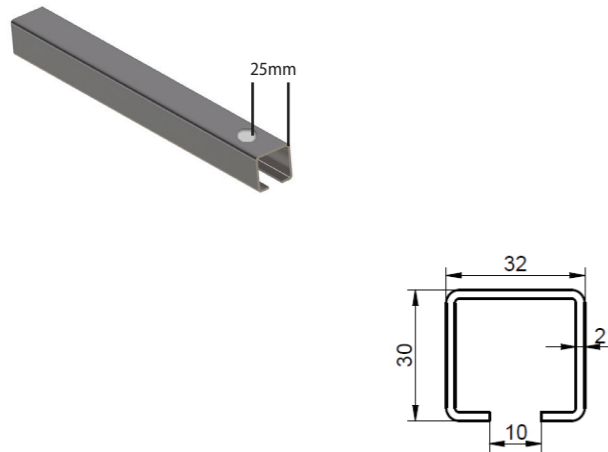
Material: cold-rolled steel, galvanized



Catalogue number	Type	L	Weight (kg/m)
100795	A/4 - straight line	4000	1,091
100995	A/6 - straight line	6000	1,091
100795-S	special	L=	1,091
100795-L	radial	R=	1,091
100780	B/4 - straight line	4000	1,475
100980	B/6 - straight line	6000	1,475
100780-S	special	L=	1,475
100780-L	radial	R=	1,475

**Bracket RW**

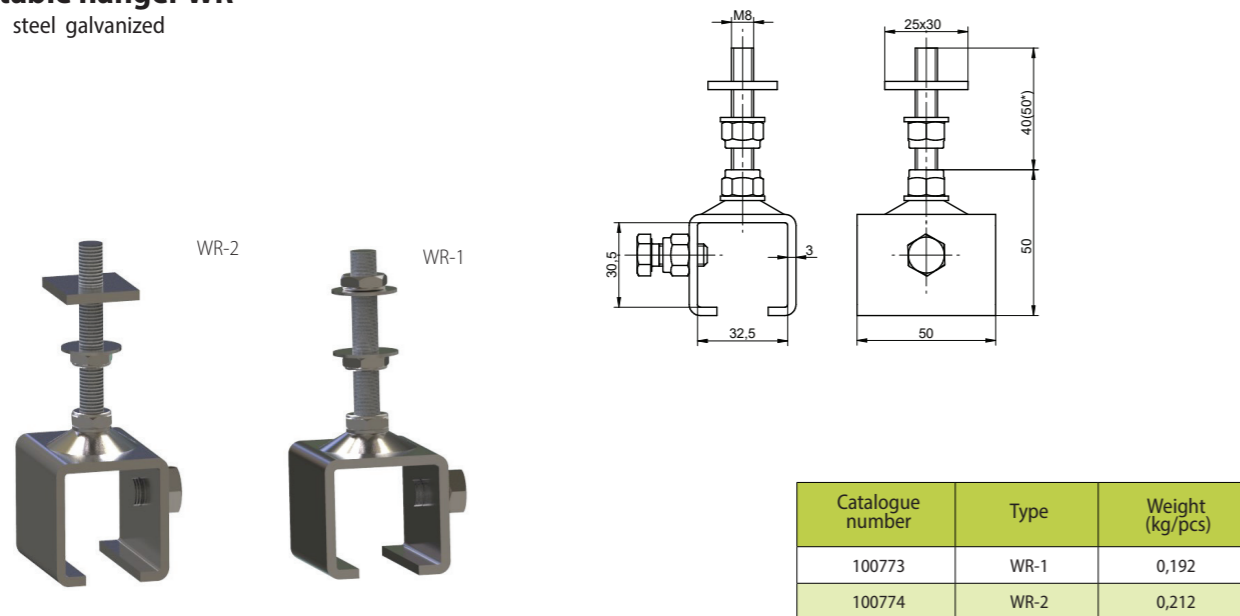
Material: cold-rolled steel, galvanized



Catalogue number	Type	L	Weight (kg/m)
100781	RWB-1	100	0,148
100782	RWB-2	200	0,296
100783	RWB-3	300	0,444
100784	RWB-4	400	0,592
100785	RWB-5	500	0,740
100786	RWB-6	600	0,888
100787	RWB-7	700	1,036
100788	RWB-8	800	1,184
100789	RWB-9	900	1,332
1007810	RWB-10	1000	1,480
1007811	RWB-11	1100	1,628
1007812	RWB-12	1200	1,776
100781-S	specjal		

**Adjustable hanger WR**

Material: steel galvanized

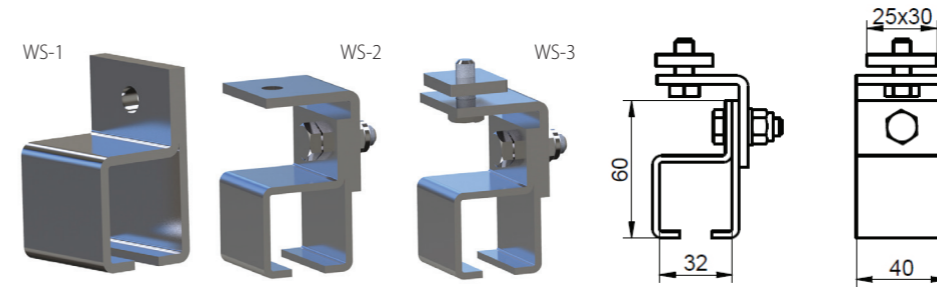


Catalogue number	Type	Weight (kg/pcs)
100773	WR-1	0,192
100774	WR-2	0,212



**Hanger WS**

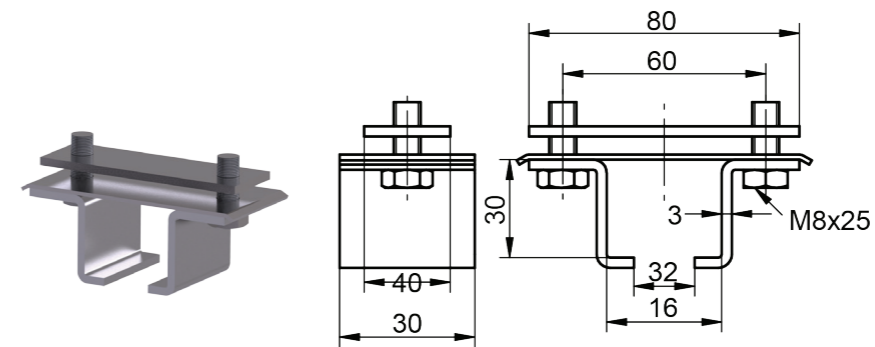
Material: galvanized steel



Catalogue number	Type	Weight (kg/pcs)
100775	WS-1	0,134
100776	WS-2	0,248
100777	WS-3	0,296

**Fastening of the profile MS**

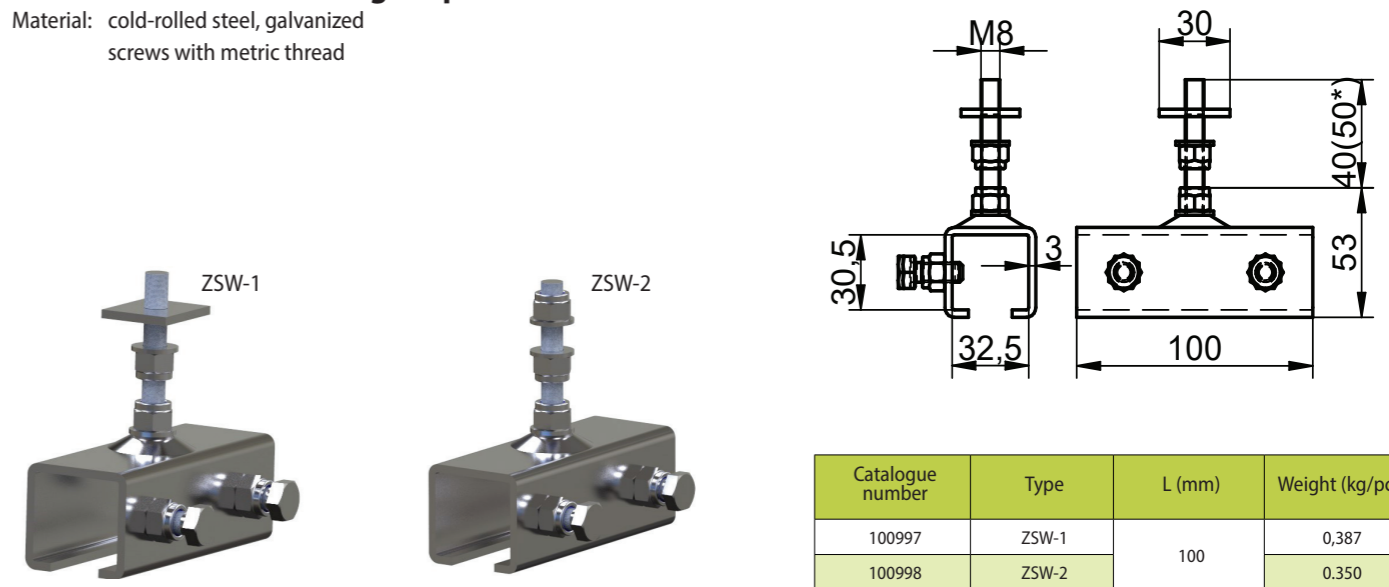
Material: cold-rolled steel, galvanized



Catalogue number	Type	Weight (kg/pcs)
100796	MS	0,278

**Connection with fastening for profile ZSW-1**

Material: cold-rolled steel, galvanized  
screws with metric thread



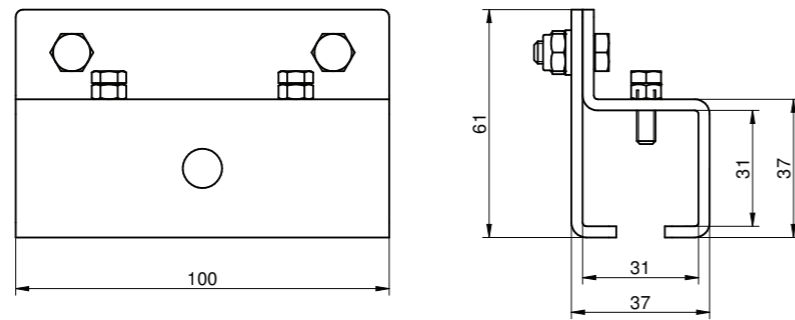
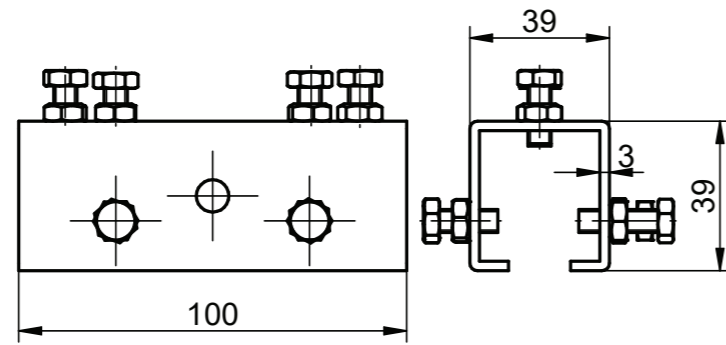
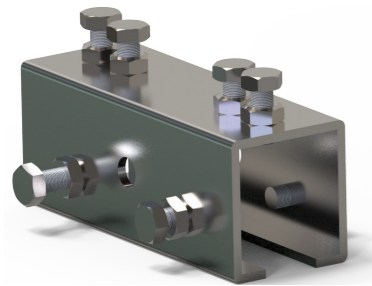
Catalogue number	Type	L (mm)	Weight (kg/pcs)
100997	ZSW-1	100	0,387
100998	ZSW-2	100	0,350

### Connection for profile ZS-1

Material: cold-rolled steel, galvanized screws with metric thread

### Chain LC

Material: galvanized steel



Catalogue number	Type	L (mm)	Weight (kg/pcs)
100797	ZS-1	100	0,28
100797	ZS-1	100	0,40

LC-2



LC-3, LC-5

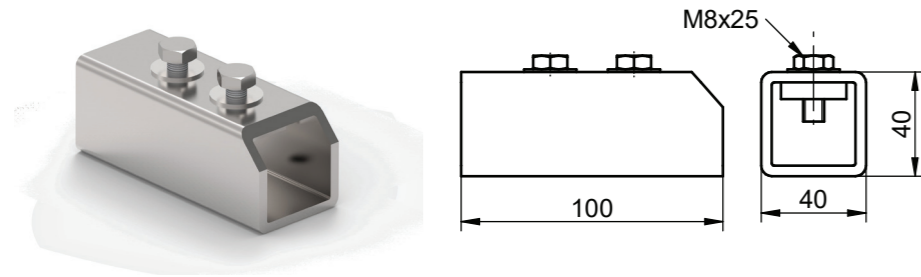


Catalogue number	Type	Link length mm	Diameter of a bar of a chain mm	Weight (kg/m)
100908	LC-2	18.3	2	0.060
100792	LC-3	24.0	3	0.150
100804	LC-5	33.3	5	0.460



**Support of bracket for welding KS-1**

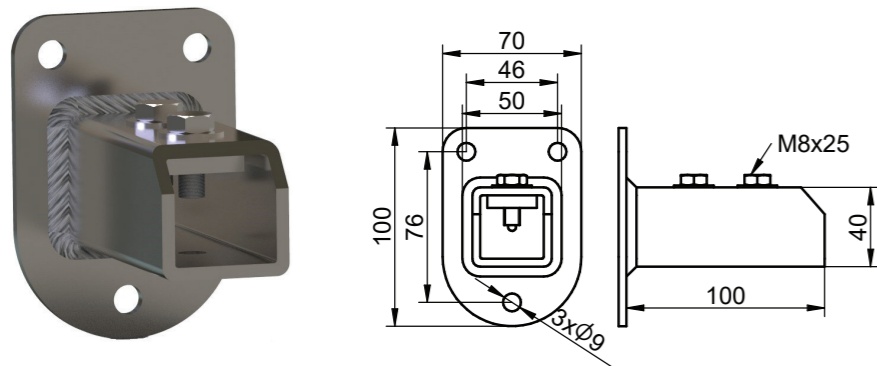
Material: cold-rolled steel, galvanized  
Screws with metric thread



Catalogue number	Type	Weight (kg/pcs)
100790	KS-1	0,480

**Support with stand KP-1**

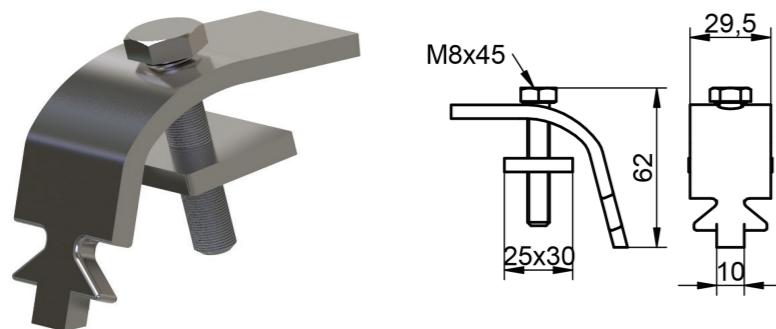
Material: cold-rolled steel, galvanized  
Screws with metric thread



Catalogue number	Type	Weight (kg/pcs)
100790-P	KP-1	0,770

**Claw DP-1**

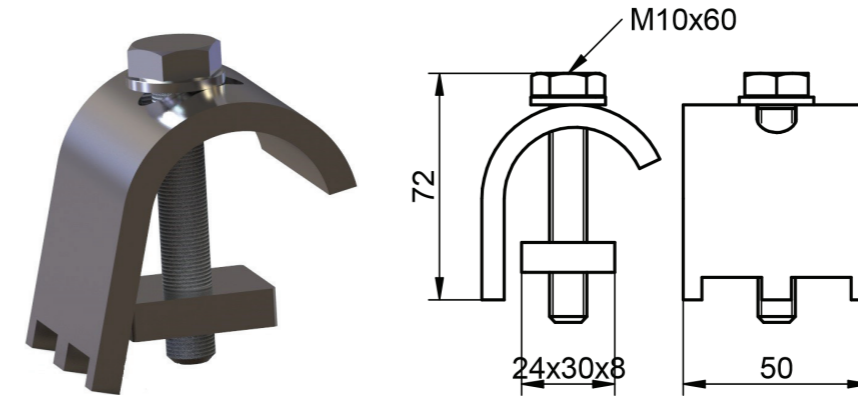
Material: cold-rolled steel, galvanized  
screw and screw-nut with metric thread



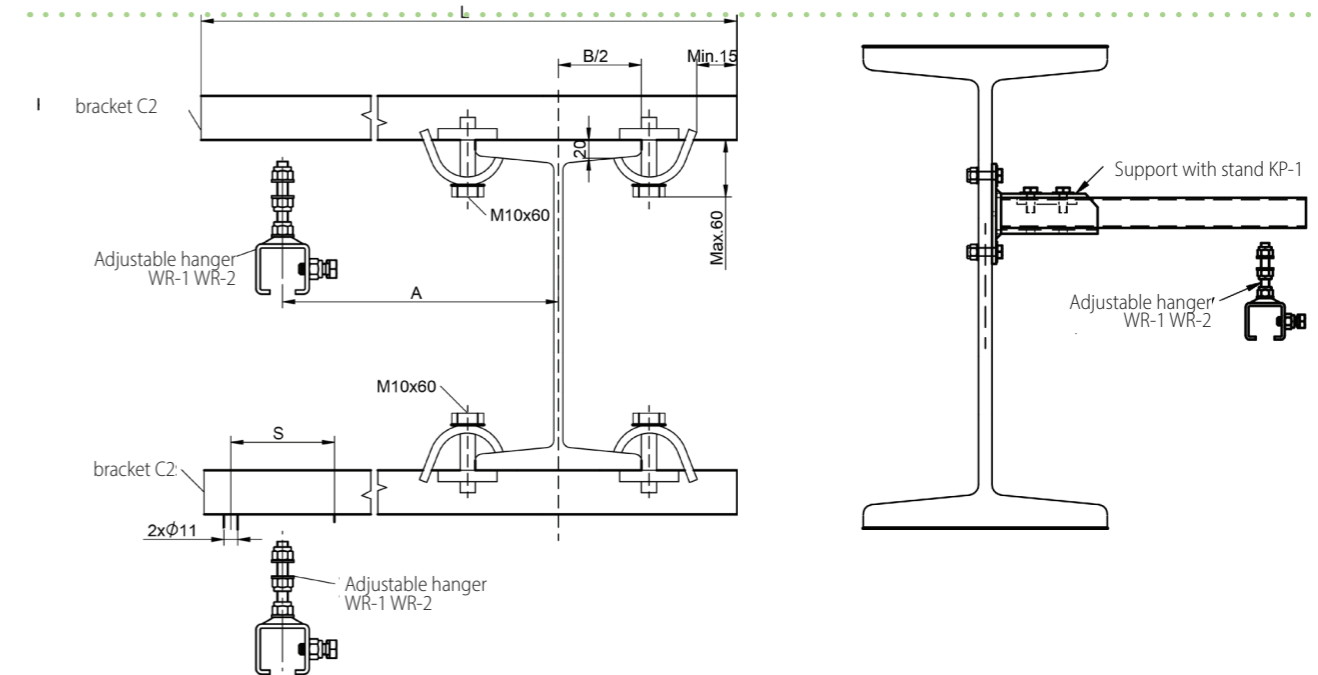
Catalogue number	Type	Weight (kg/pcs)
100770	DP-1	0,140

**Claw DP-2**

Material: cold-rolled steel, galvanized  
screw and screw-nut with metric thread

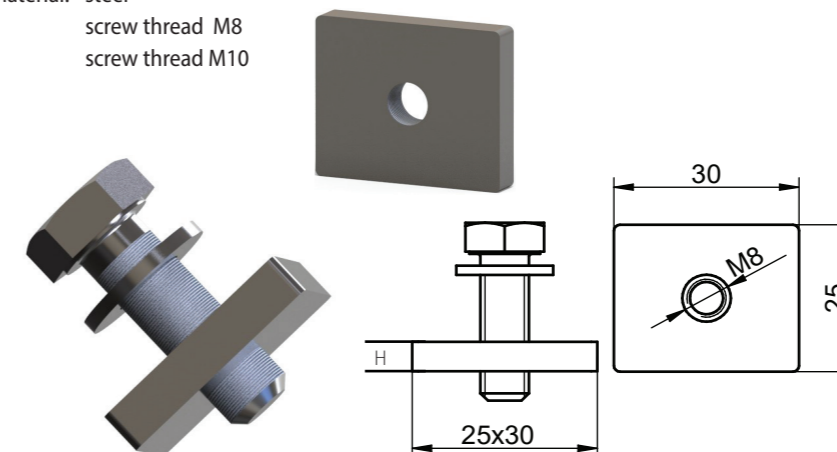


Catalogue number	Type	Weight (kg/pcs)
100970	DP-2	0.278



**Special nut NS**

Material: steel  
screw thread M8  
screw thread M10

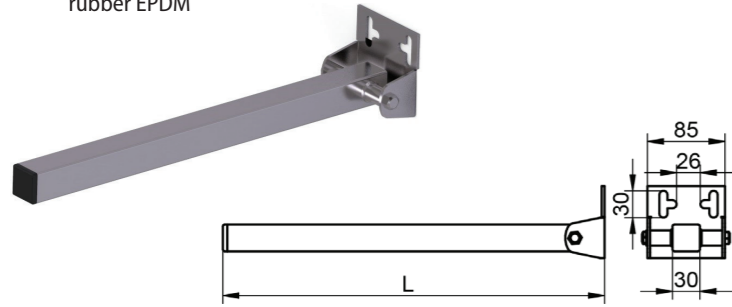


Catalogue number	Type	H	Weight (kg/pcs)
100844	NS-1	6	0.041
100845	NS-2	8	0.055



**Tow arm flexible ZW**

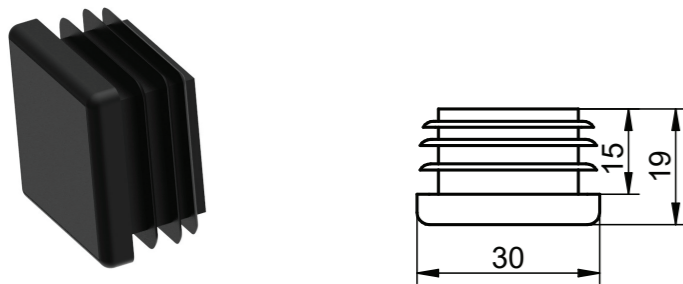
Material: cold-rolled steel, galvanized  
screws and screw-nuts with metric thread  
rubber EPDM



Catalogue number	Type	L (mm)	Weight (kg/pcs)
100771	ZW-1	400	1,000
100873	ZW-2	500	1.250
100772	ZW-3	600	1.500

**Joint cap ZP**

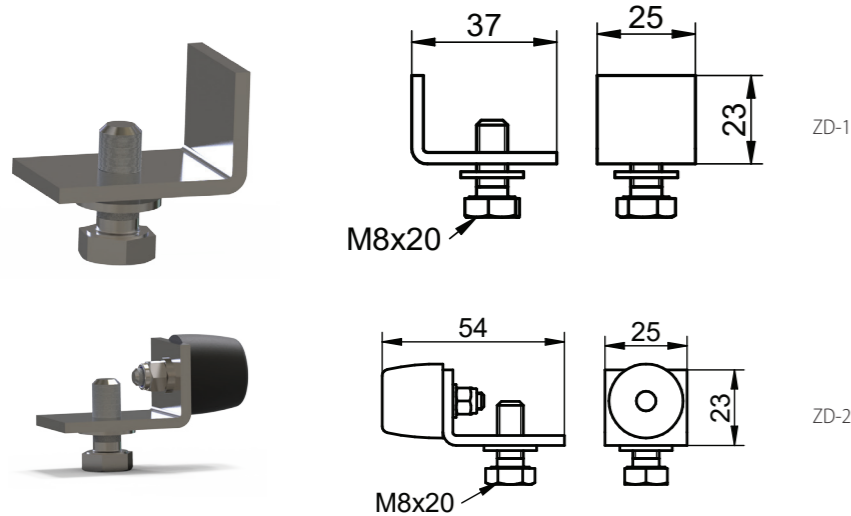
Material: PCV



Catalogue number	Type	Weight (kg/pcs)
100791	ZP-1	0,007

**Bumper ZD**

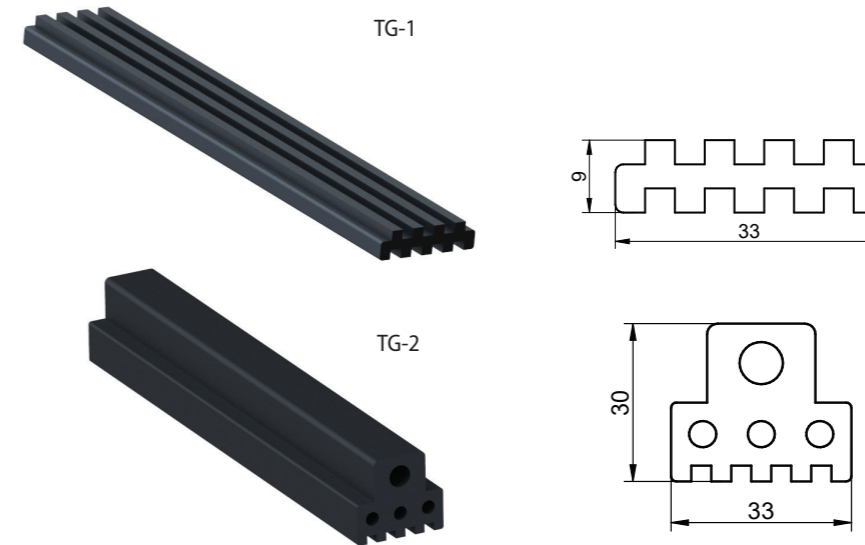
Material: cold-rolled steel, galvanized  
screws and screw-nuts with metric thread  
rubber EPDM



Catalogue number	Type	Weight (kg/pcs)
100901	ZD-1	0,048
100902	ZD-2	0,054

**Sealing strip TG**

Material: rubber EPDM



Catalogue number	Type	Weight (kg/m)
100846	TG-1	0.150
100847	TG-2	0.450

**Rubber bumper ZG**

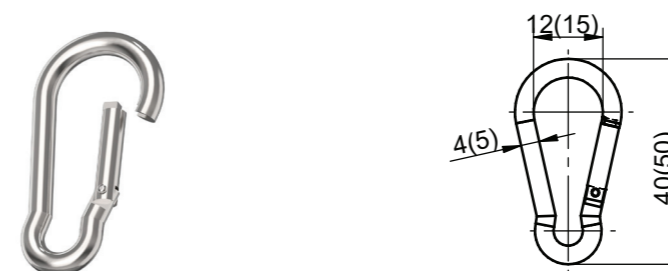
Material: rubber EPDM



Catalogue number	Type	Weight (kg/pcs)
100860	ZG-1	0.010

**Spring hook**

Material: galvanized steel

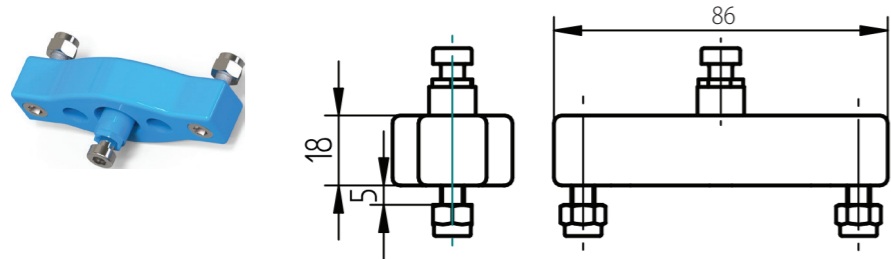


Catalogue number	Type	Weight (kg/pcs)
100793	KB-4	0,008
100803	KB-5	0.015



**Hinge joint of round cables WEK**

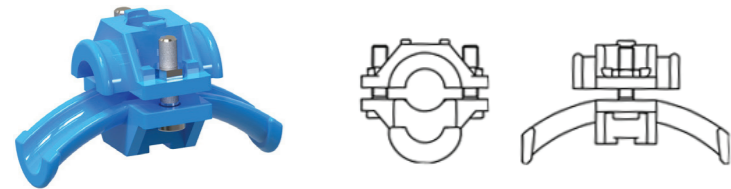
Material: polyamide



Catalogue number	Type	Weight (kg/pcs)
100904	WEK-1	0.045

**Hoop of round cables WEK**

Material: polyamide

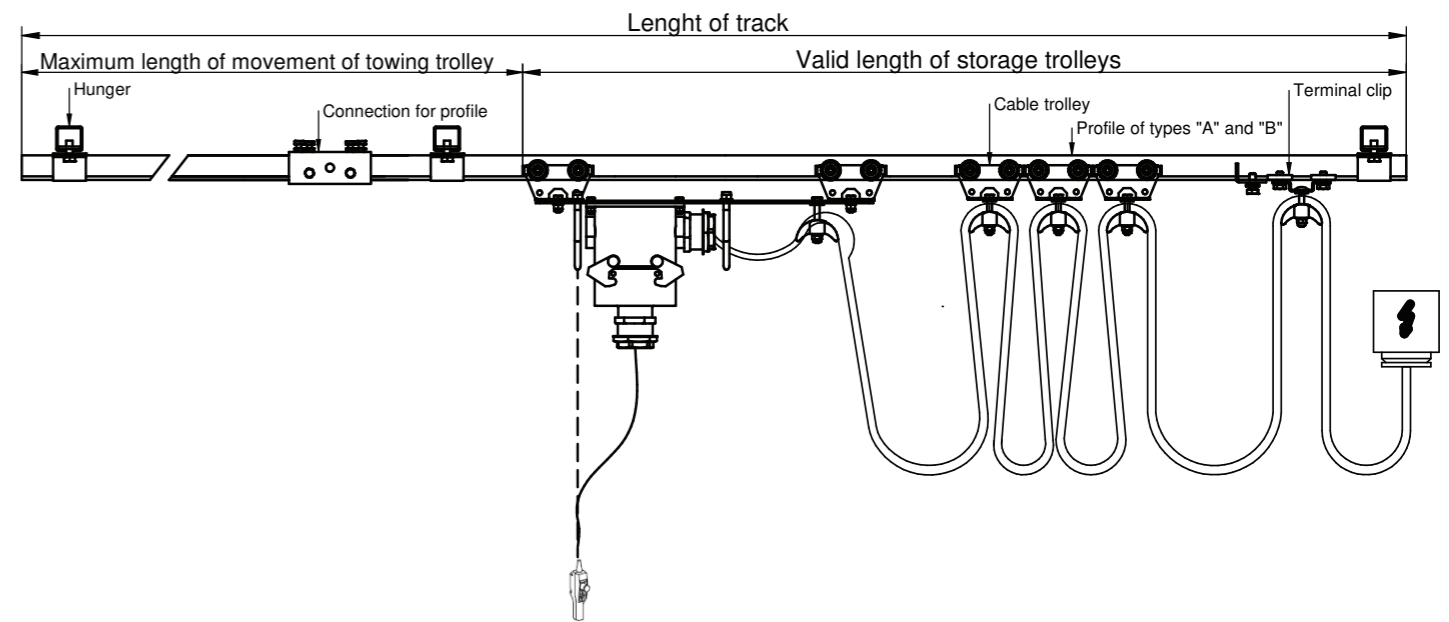
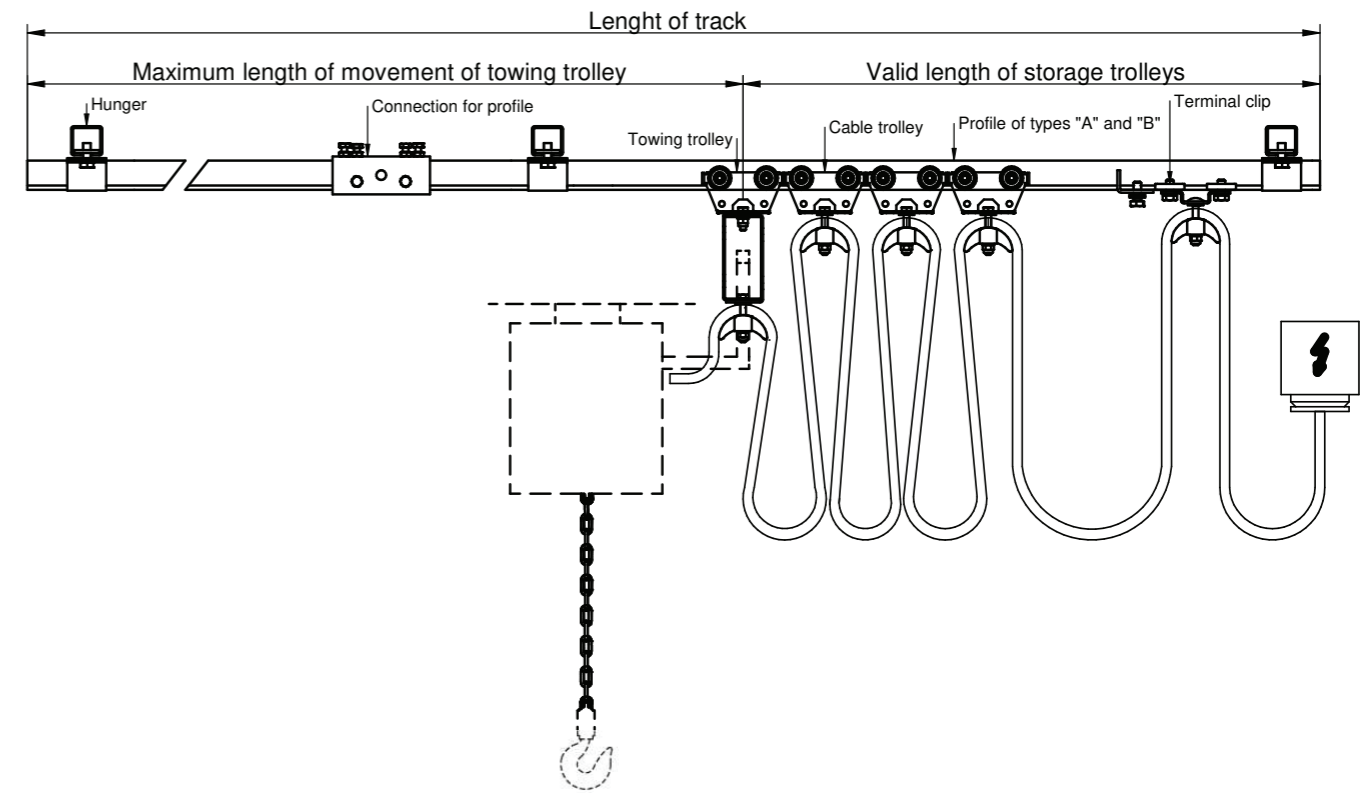


Catalogue number	Type	Ø	Weight (kg/pcs)
100905	WEK-2	10-16	0.032
100906	WEK-3	17-25	0.058
100907	WEK-4	26-36	0.085

Material: metal



Catalogue number	Type	Ø	Weight (kg/pcs)
100909	WEK-5	13-35	0.180



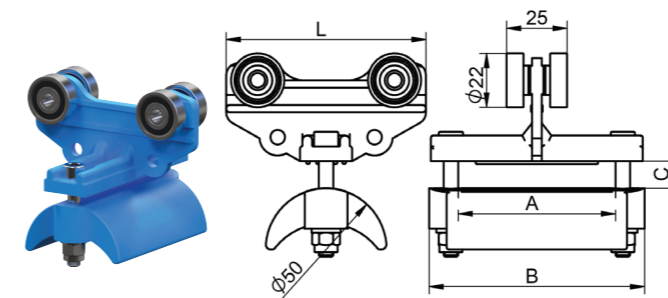


**Variants rollers used in trolleys:**

- 1/ polyamide rollers, axis - galvanized
- 2/ ball bearing RS or ZZ
- 3/ ball bearing RS or ZZ - polyamide coating
- 4/ ball bearing RS or ZZ - polyurethane coating

**Cable trolley**

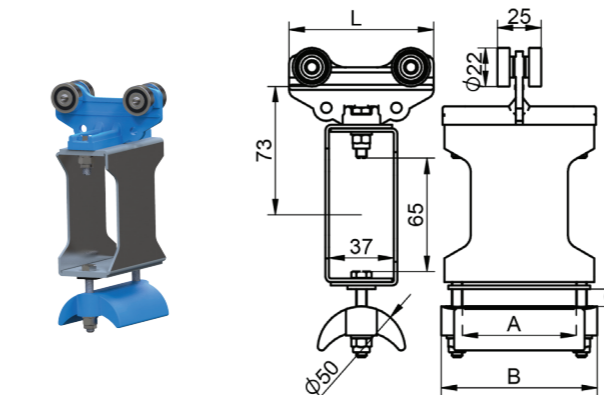
Material: polyamide case  
polyamide saddle  
load up to 10 kg



Catalogue number	Type	Dimensions					Weight
		A	B	C-max	D	L	
1001.10.50	CT-A/10-85x89x50/1	65	89	20	50	85	0.115
1002.10.50	CT-A/10-85x89x50/2			20	50	85	0.120
1003.10.50	CT-A/10-85x89x50/3			20	50	85	0.185
1004.10.50	CT-A/10-85x89x50/4			20	50	85	0.138
1005.10.00	specjal						

**Towing trolley**

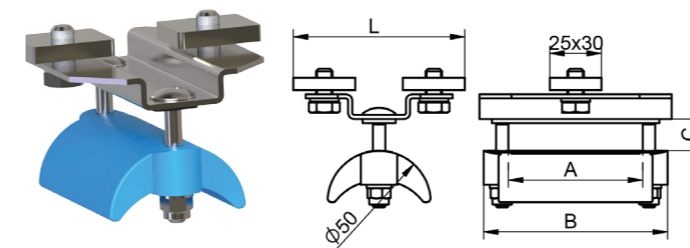
Material: polyamide case  
metal hanger ear  
polyamide saddle  
load up to 10 kg



Catalogue number	Type	Dimensions					Weight
		A	B	C-max	D	L	
1001.11.50	CTT-A/10-85x89x50/1	65	89	20	50	85	0.394
1002.11.50	CTT-A/10-85x89x50/2			20	50	85	0.399
1003.11.50	CTT-A/10-85x89x50/3			20	50	85	0.464
1004.11.50	CTT-A/10-85x89x50/4			20	50	85	0.489
1005.11.50	specjal						

**Terminal clip**

Material: metal case  
polyamide saddle  
load up to 10 kg



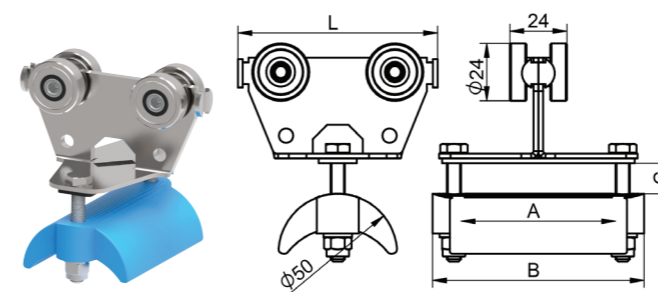
Catalogue number	Type	Dimensions					Weight
		A	B	C-max	D	L	
1001.12.50	CTE-A/10-85x89x50	65	89	20	50	85	0.286
1002.12.50	specjal						





**Cable trolley**

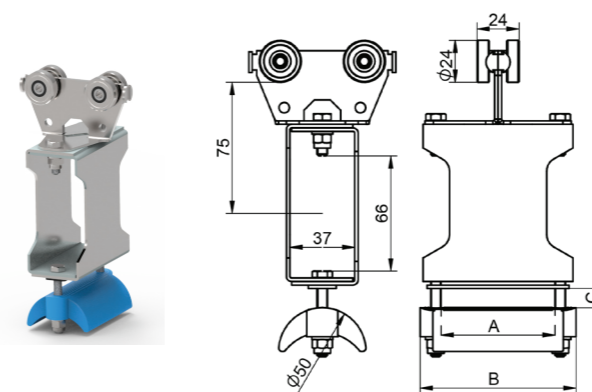
Material: metal case  
polyamide saddle  
load up to 16 kg



Catalogue number	Type	Dimensions					Weight
		A	B	C-max	D	L	
1006.20.50	CT-A/20-85x89x50	65	89	15	50	85	0.290
1007.20.50	CT-A/20-105x89x50			25	50	105	0.324
1008.20.50	CT-A/20-125x89x50			35	50	125	0.381
1009.20.50	CT-A/20-125x89x50			25	50	125	0.354
1010.20.50	CT-A/20-125x89x50			20	50	125	0.327
1011.20.00	specjal						

**Towing trolley**

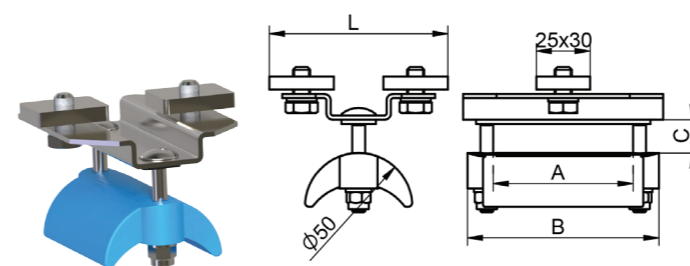
Material: metal case  
metal hanger ear  
polyamide saddle  
load up to 16 kg



Catalogue number	Type	Dimensions					Weight
		A	B	C-max	D	L	
1006.21.50	CTT-A/20-85x89x50	65	89	15	50	85	0.580
1007.21.50	CTT-A/20-105x89x50			25	50	105	0.613
1008.21.50	CTT-A/20-125x89x50			35	50	125	0.774
1009.21.50	CTT-A/20-125x89x50			25	50	125	0.678
1010.21.50	CTT-A/20-125x89x50			20	50	125	0.582
1011.21.00	specjal						

**Terminal clip**

Material: metal case  
polyamide saddle  
load up to 16 kg

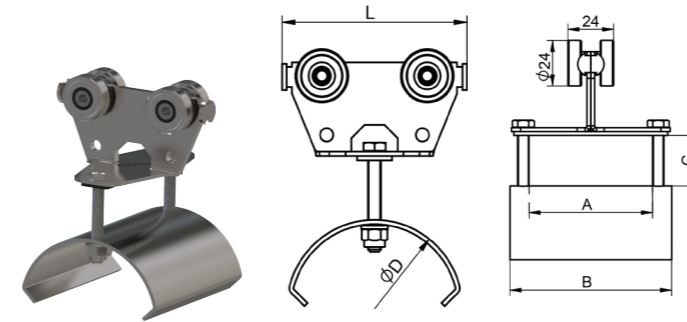


Catalogue number	Type	Dimensions					Weight
		A	B	C-max	D	L	
1006.22.50	CTE-A/20-85x89x50	65	89	15	50	85	0.286
1007.22.50	specjal						



**Cable trolley**

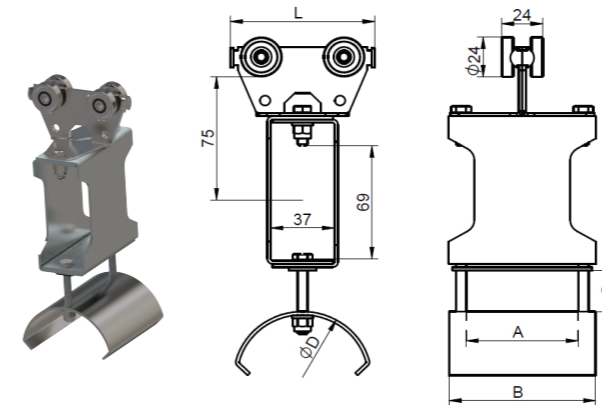
Material: metal case  
metal saddle  
load up to 20 kg



Catalogue number	Type	Dimensions					Weight
		A	B	C-max	D	L	
1012.30.50	CT-A/30-85x89x50	65	89	15	50	85	0.379
1013.30.50	CT-A30-105x89x50			25	50	105	0.387
1014.30.50	CT-A/30-125x89x50			35	50	125	0.498
1015.30.80	CT-A/30-125x89x80			25	80	125	0.452
1016.30.80	CT-A/30-125x89x80			20	80	125	0.406
1017.30.00	specjal						

**Towing trolley**

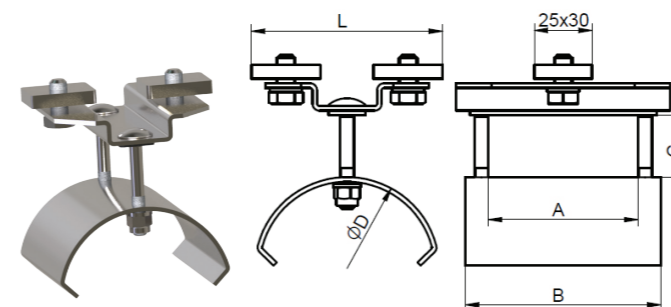
Material: metal case  
metal hanger ear  
metal saddle  
load up to 20 kg



Catalogue number	Type	Dimensions					Weight
		A	B	C-max	D	L	
1012.31.50	CTT-A/30-85x89x50	65	89	15	50	85	0.720
1013.31.50	CTT-A/30-105x89x50			25	50	105	0.727
1014.31.50	CTT-A/30-125x89x50			35	50	125	0.886
1015.31.80	CTT-A/30-125x89x80			25	80	125	0.840
1016.31.80	CTT-A/30-125x89x80			20	80	125	0.794
1017.31.00	specjal						

**Terminal clip**

Material: metal case  
metal saddle  
load up to 20 kg

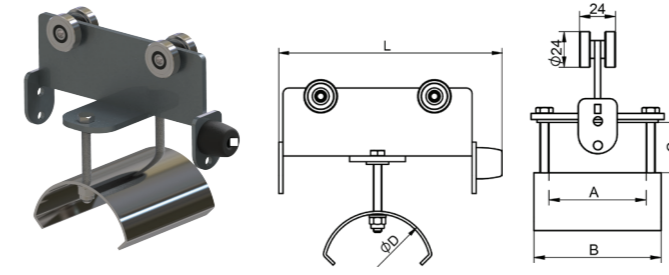


Catalogue number	Type	Dimensions					Weight
		A	B	C-max	D	L	
1012.32.50	CTE-A/30-85x89x50	65	89	25	50	85	0.314
1013.32.80	CTE-A/30-85x89x80			35	80	85	0.361
1014.32.50	specjal						



**Cable trolley**

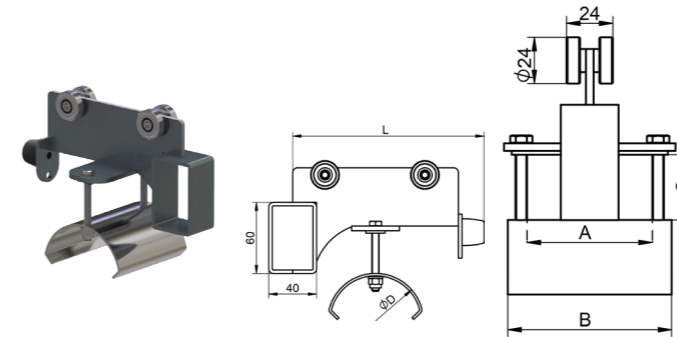
Material: metal case  
metal saddle  
load up to 20 kg



Catalogue number	Type	Dimensions					Weight
		A	B	C-max	D	L	
1018.40.10	CT-A/40-160x89x100	65	89	15	100	160	0.920
1019.40.12	CT-A/40-160x89x120			20	120	160	1.340
1020.40.12	CT-A/40-200x89x120			30	120	200	1.460
1021.40.16	CT-A/40-200x89x160			20	160	200	1.690
1022.40.00	specjal						

**Towing trolley**

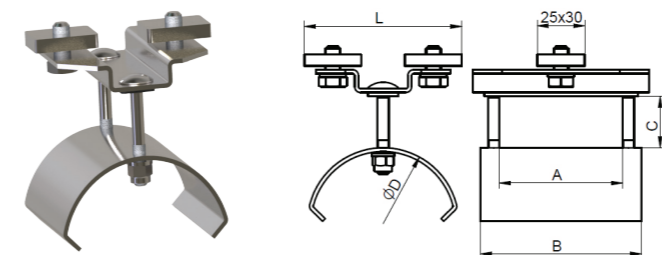
Material: metal case  
metal hanger ear  
metal saddle  
load up to 20 kg



Catalogue number	Type	Dimensions					Weight
		A	B	C-max	D	L	
1018.41.10	CTT-A/40-160x89x100	65	89	15	100	160	1.700
1019.41.12	CTT-A/40-160x89x120			20	120	160	1.980
1020.41.12	CTT-A/40-200x89x120			30	120	200	2.980
1021.41.16	CTT-A/40-200x89x160			20	160	200	3.230
1022.41.00	specjal						

**Terminal clip**

Material: metal case  
metal saddle  
load up to 20 kg

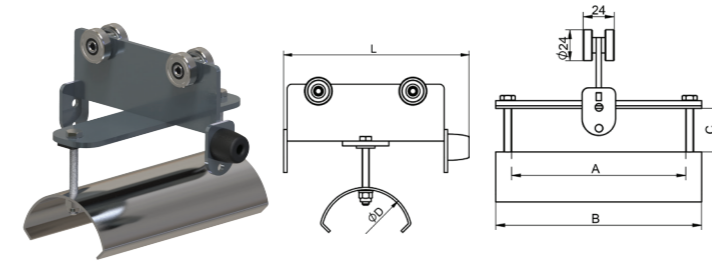


Catalogue number	Type	Dimensions					Weight
		A	B	C-max	D	L	
1018.42.10	CTE-A/40-85x89x100	65	89	15	100	85	1.285
1019.42.12	CTE-A/40-85x89x120			20	120		1.500
1020.42.16	CTE-A/40-85x89x160			30	160		1.755
1021.42.00	specjal						



**Cable trolley**

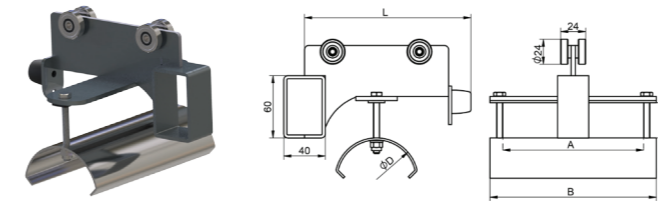
Material: metal case  
metal saddle  
load up to 20 kg



Catalogue number	Type	Dimensions					Weight
		A	B	C-max	D	L	
1023.50.10	CT-A/50-160x160x100	135	160	25	100	160	0.920
1024.50.12	CT-A/50-160x160x120			20	120	160	1.340
1025.50.12	CT-A/50-200x160x120			30	120	200	1.460
1026.50.16	CT-A/50-200x160x160			20	160	200	1.690
1027.50.00	specjal						

**Towing trolley**

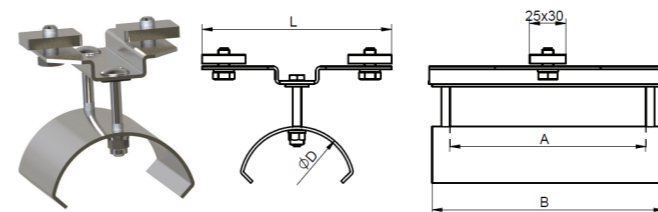
Material: metal case  
metal hanger ear  
metal saddle  
load up to 20 kg



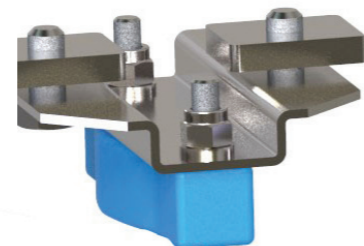
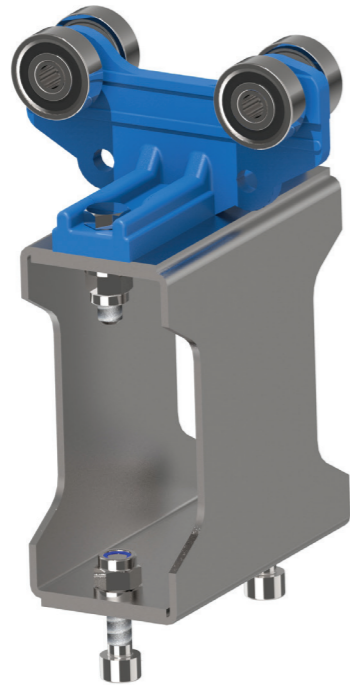
Catalogue number	Type	Dimensions					Weight
		A	B	C-max	D	L	
1023.51.10	CTT-A/50-160x160x100	135	160	25	100	160	1.700
1024.51.12	CTT-A/50-160x160x120			20	120	160	1.980
1025.51.12	CTT-A/50-200x160x120			30	120	200	2.980
1026.51.16	CTT-A/50-200x160x160			20	160	200	3.230
1027.51.00	specjal						

**Terminal clip**

Material: metal case  
metal saddle  
load up to 20 kg



Catalogue number	Type	Dimensions					Weight
		A	B	C-max	D	L	
1023.52.10	CTE-A/50-85x160x100	135	160	25	100	85	1.285
1024.52.12	CTE-A/50-85x160x120			20	120		1.500
1025.52.16	CTE-A/50-85x160x160			30	160		1.755
1026.52.00	specjal						

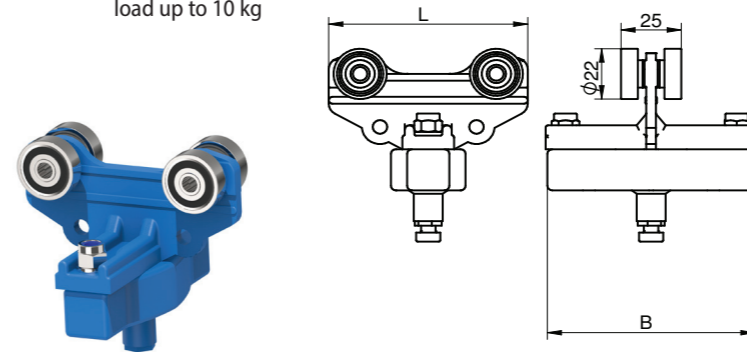


**Variants rollers used in trolleys:**

- 1/ polyamide rollers, axis - galvanized
- 2/ ball bearing RS or ZZ
- 3/ ball bearing RS or ZZ - polyamide coating
- 4/ ball bearing RS or ZZ - polyurethane coating

**Cable trolley**

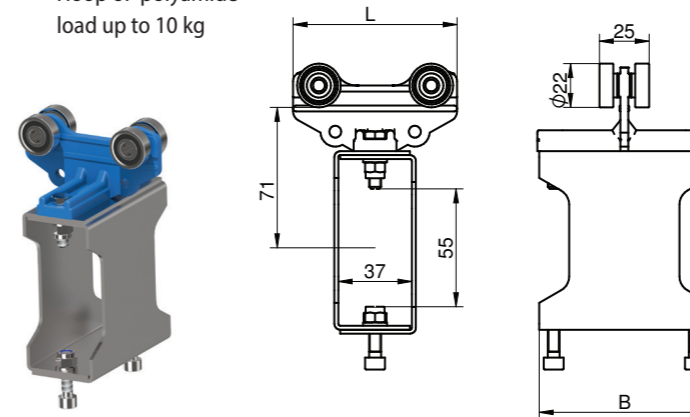
Material: polyamide case  
Hoop of polyamide  
load up to 10 kg



Catalogue number	Type	Dimensions		Weight
		B	L	
1028.60.01	CT-RT/60-85/1	89	85	0.102
1029.60.02	CT-RT/60-85/2			0.105
1030.60.03	CT-RT/60-85/3			0.156
1031.60.04	CT-RT/60-85/4			0.117
1032.60.00	specjal			

**Towing trolley**

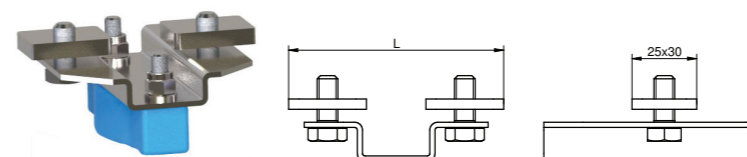
Material: polyamide case  
metal hanger ear  
Hoop of polyamide  
load up to 10 kg



Catalogue number	Type	Dimensions		Weight
		B	L	
1028.61.01	CTT-RT/60-85/1	89	85	0.413
1029.61.02	CTT-RT/60-85/2			0.418
1030.61.03	CTT-RT/60-85/3			0.475
1031.61.04	CTT-RT/60-85/4			0.475
1032.61.00	specjal			

**Terminal clip**

Material: metal case  
Hoop of polyamide  
load up to 10 kg



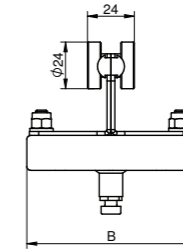
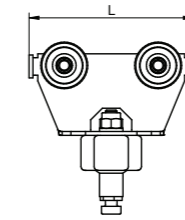
Catalogue number	Type	Dimensions		Weight
		B	L	
1028.62.01	CTE-RT/60/85	89	85	0.120
1029.62.00	specjal			

The clips are not part of the cable trolley.



**Cable trolley**

Material: metal case  
Hoop of polyamide  
load up to 10 kg

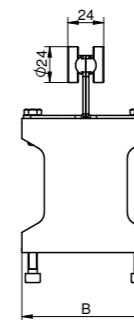
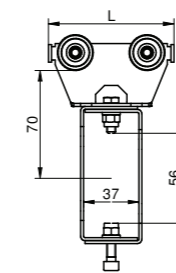


Catalogue number	Type	Dimensions		Weight
		B	L	
1033.70.01	CT-RT/70-85	89	85	0.262
1034.70.02	CT-RT/70-105		105	0.294
1035.70.03	CT-RT/70-125		125	0.317
1036.70.04	specjal			

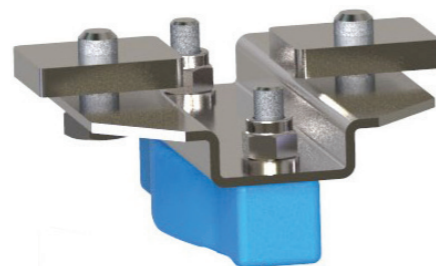


**Towing trolley**

Material: metal case  
Hoop of polyamide  
load up to 10 kg

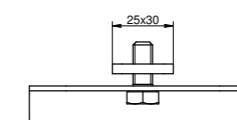
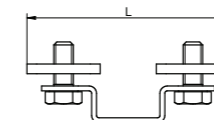
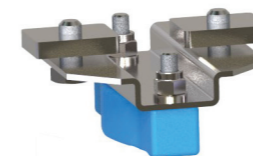


Catalogue number	Type	Dimensions		Weight
		B	L	
1033.71.01	CTT-RT/70-85	89	85	0.582
1034.71.02	CTT-RT/70-105		105	0.613
1035.71.03	CTT-RT/70-125		125	0.633
1036.71.04	specjal			



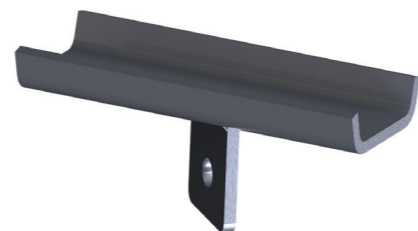
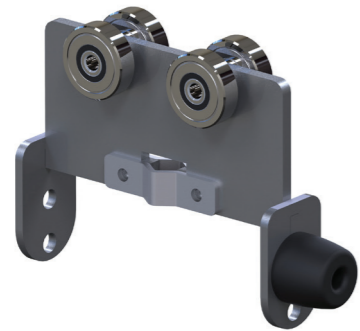
**Terminal clip**

Material: metal case  
Hoop of polyamide  
load up to 10 kg



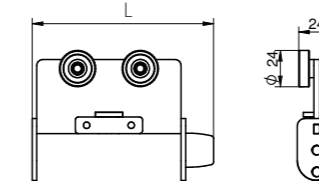
Catalogue number	Type	Dimensions		Weight
		B	L	
1033.72.01	CTE-RT/70-85	89	85	0.120
1034.72.00	specjal			

The clips are not part of the cable trolley.



**Cable trolley**

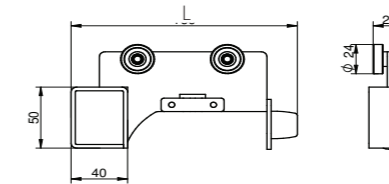
Material: metal case  
load up to 20 kg



Catalogue number	Type	Dimensions		Weight
		B	L	
1039.90.01	CT-RT/90-85	89	85	0,262
1040.90.01	CT-RT/90-105		105	0,294
1041.90.01	CT-RT/90-125		125	0,317
1042.90.01	specjal			

**Towing trolley**

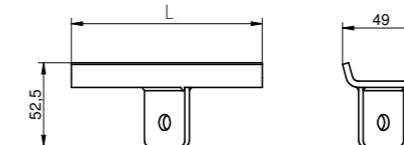
Material: metal case  
metal hanger ear  
load up to 20 kg



Catalogue number	Type	Dimensions		Weight
		B	L	
1039.91.01	CTT-RT/90-85	89	85	0,582
1040.91.01	CTT-RT/90-105		105	0,613
1041.91.01	CTT-RT/90-125		125	0,633
1042.91.01	specjal			

**Terminal clip**

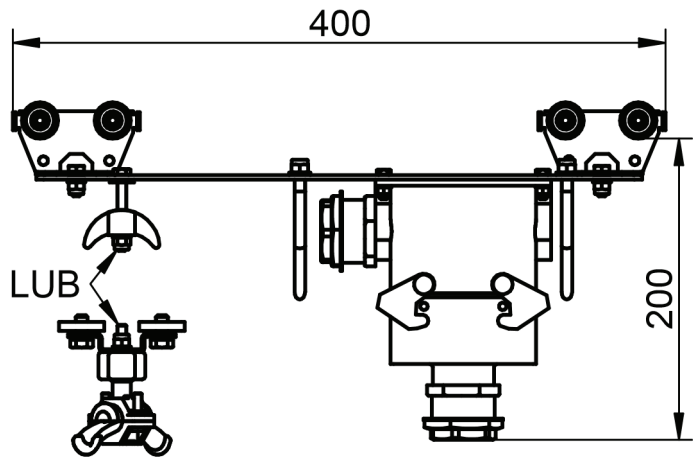
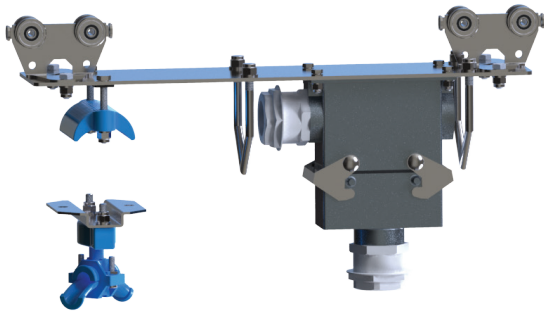
Material: metal case  
load up to 20 kg



Catalogue number	Type	Dimensions		Weight
		B	L	
1039.92.01	CTE-RT/90-85	89	85	0,120
1040.92.01	specjal			

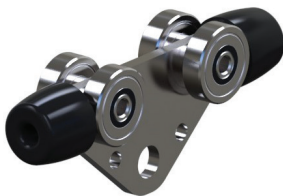
The clips are not part of the cable trolley.  
RM International Group Sp. o.o. reserves the right to introduce modifications into design of any element.

**SERIES AS-80**  
Trolley for control panel

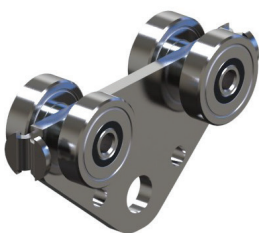
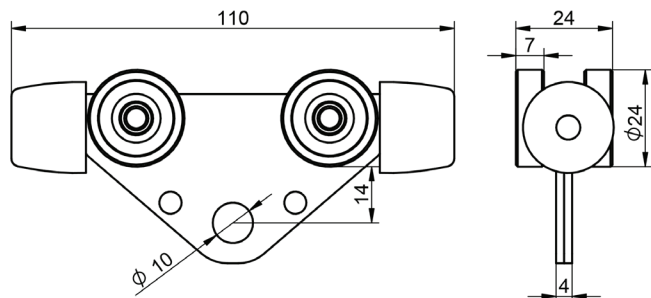


Catalogue number	Type	Weight
1037.80.01	specjal	

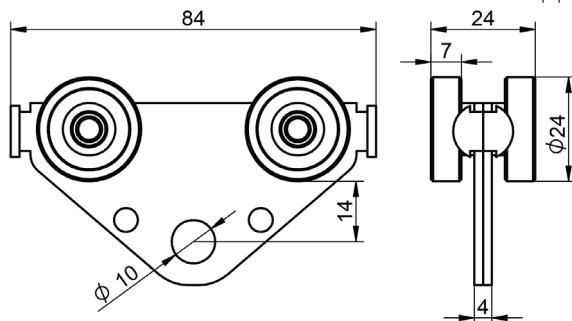
**SERIES AS-81**  
Special trolley



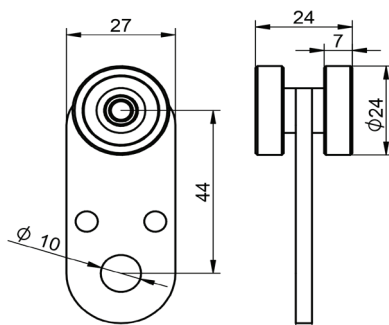
AS-81-2ZG



AS-81/2



AS-81/1



Catalogue number	Type	Weight
1038.81.01	AS-81/1	0.097
1038.81.02	AS-81/2	0.173
1038.81.03	AS-81/2ZG	0.203